



UDE - THE
UNDERGROUND
EXPERTS™



UNDERGROUND DETECTION EQUIPMENT PRODUCT BROCHURE

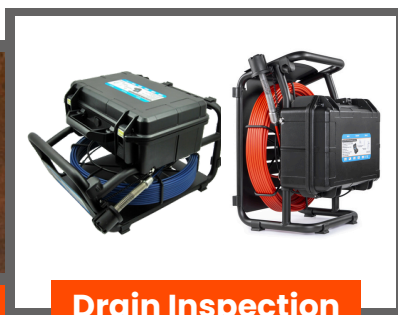
NEW LAUNCHED PRODUCTS



XTAPE1 & P9



DT20



Drain Inspection
Camera



PinPoint R



JCB Lights

TABLE OF CONTENTS

UDE - THE
UNDERGROUND
EXPERTS™



1

ABOUT US

THE UNDERGROUND EXPERTS	01
-------------------------------	----

2

PRODUCTS

INSPECTION	02-07
CABLE LOCATION	08-12
PIPE DETECTION	13-16
LEAK DETECTION	17-22
METAL DETECTORS & LIFTERS	23-25
THERMAL IMAGING CAMERAS	26-28
MEASUREMENT TOOLS	29-32
CABLE IDENTIFICATION	33-35
OTHER PRODUCTS	36-40

3

BRANDS WE WORK WITH	41
---------------------------	----

4

CONTACT US	42
------------------	----

ABOUT US

THE UNDERGROUND EXPERTS

BUILDING RELATIONSHIPS, SELLING SOLUTIONS SINCE 1986

At UDE we measure the value of technology by how it benefits our customers. Its about what they need to do and what they need to achieve. Our customers are paramount thats why customers who purchased products from us in the 80's remain loyal to us today. If you value good customer service and quality products let us show you how we can help.



AT UDE,

We have built our company on quality products backed up with excellent after sales service. Our aim is to provide our customers not only with the equipment that best suits their needs but also to provide them with the knowledge and expertise to allow them to solve any of their location requirements.

Underground Detection Equipment Ltd was established in 1986. We have been representing Radiodetection Ltd the manufacturers of the original CAT & Genny since we began trading. We are channel partners for F.A.S.T GmbH, Esders GmbH, Subsurface Instruments Inc, Impulse Radar, Andoethna D.O.O, MADE S.A, Pearpoint, Hikmicro and Mileseeey Tools.

Our team has over 35 years experience in the Underground Utilities Industry. We believe that our customers deserve the best and we therefore strive to deliver high quality, reliable products that our customers can use with confidence.



PRODUCTS FOR INSPECTION

- Flexiprobe
- Flexitrax – Modular Crawler System
- Pipe or Drain Inspection Camera System
- Laserliner-VideoFlex-HD



FLEXIPROBE

PORTABLE INSPECTION SYSTEM

The flexiprobe P540c-

- pushrod inspection systems offer a range of pushrod reels with distinct capabilities and rod lengths, alongside two specialist cameras



The P542 system-

- designed to deliver optimum performance in medium-diameter pipes starting from 4 / 100mm.
- Its compact and robust design allows the user to extend its use to smaller pipes (will fit in a 2" / 50mm pipe).
- It offers a balanced compromise between bendability & stiffness, allowing good manoeuvrability & push performance.
- It is offered in 2 lengths: 200' / 60m or 400' / 120m and can be used with either the 1" / 25mm or the 2" / 50mm cameras.



TECHNICAL SPECIFICATION



DOWNLOAD



(01) 285 2701



www.ude.ie



experts@ude.ie

P350 FLEXITRAX – MODULAR CRAWLER SYSTEM

The Pearpoint transportable mainline range offers portability and flexibility with the ability to run crawlers or pushrod systems. The P350 system offers digital recording and wireless connectivity and can drive P350 crawlers or the flexiprobe P340+ pushrod range.

TECHNICAL SPECIFICATION



PIPE OR DRAIN INSPECTION CAMERA SYSTEM

Model No. 3499F

This is a professional video inspection camera designed for inspection of sewer, pipe, air ducts, underground cable pipes, etc. Equipped with a Ø23mm Sony CCD camera head, 20-40m fiberglass rod cable and 7" LCD monitor with SD card recording, it's a great choice for pipe DN 40mm-150mm.

Model No. 3499FB-

- Pipe Sizes: DN 1.2"/30mm to DN 6"/150mm
- Minimum diameter for 90° elbows: 50mm/2"
- Push Rod Diameter: 6.8mm/0.27"
- Push Rod Length: 66'/20m.100'/30m.130'/40m
- Camera Head Diameter:0.9"/23mm
- Screen Size:10" or 7" LCD monitor with DVR
- One push record Video & audio button
- One push Take still picture button
- Weight:12.5kg/28 lbs
- Standard Features: Meter counter, Keyboard
- Optional Features: 512Hz Sonde,Self-Leveling, 38mm head (Fits for Pipe DN 2"/50mm-12"/300mm,Minimum diameter for 90° elbows: 120mm/4.7")



TECHNICAL SPECIFICATION



14MM DRAIN/PIPE INSPECTION CAMERA SYSTEM

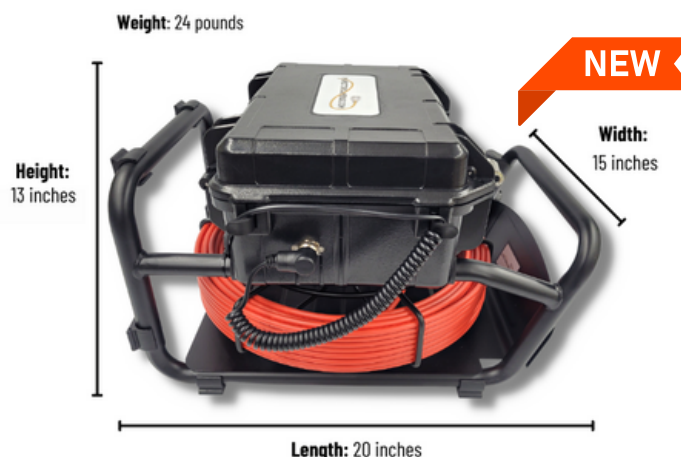
Model No. 3499FB -14 WITH 20-40M CABLE

- Battery: Rechargeable 6400mAh Li-ion Battery
- Led lights: 4 white LEDs
- Pipe Sizes: DN 0.8"/20mm to DN 3.2"/80mm
- Minimum diameter for 90° elbows: 32mm/1.3"
- Push Rod Length: 66'/20m.100'/30m.130'/40m
- Push Rod Diameter: 4.8mm/0.19"
- Camera Head Diameter:0.6"/14mm
- Screen Size:10" or 7" LCD monitor with DVR
- One push record Video & audio button
- One push Take still picture button Weight:11.8kg/26 lbs

23MM DRAIN/PIPE INSPECTION CAMERA SYSTEM

Model No. 3499FB -23- WITH 20-40M CABLE

- Pipe Sizes: DN 1.2"/30mm to DN 6"/150mm
- Minimum diameter for 90° elbows: 50mm/2"
- Push Rod Length: 66'/20m.100'/30m.130'/40m
- Push Rod Diameter: 5.2mm/0.2"
- Camera Head Diameter:0.9"/23mm
- Screen Size:10" or 7" LCD monitor with DVR
- Battery: Rechargeable 6400mAh Li-ion Battery
- Led lights:15 white LEDs
- One push record Video & audio button
- One push Take still picture button
- Weight:12kg/27 lbs
- Standard Features: Meter counter, Keyboard
- Optional Features: 512Hz Sonde, Self-Leveling, 38mm head (Fits for Pipe)



LASERLINER- VIDEOFLEX-HD

This professional video inspection system with compact camera head is perfect for precise visual inspection of small openings, such in pipework, wall cavities and motor vehicles. The high-resolution camera allows extremely detailed images and videos to be captured with 1:1 reproduction on the display with no loss of quality. The sharp digital zoom allows details to be clearly identified. Other benefits are the high-quality LED object lighting, optimum greyscale contrast reproduction, petrol and diesel resistant camera head, and the magnetic stand for setting up the base unit.



NEW



PRODUCTS FOR

CABLE LOCATION

- CAT4 – Cable Avoidance Tool
- Genny4 – Signal Generator
- RD7200 RD8200 – Precision Locating



CAT4 – CABLE AVOIDANCE TOOL

C.A.T4

The C.A.T4 is the standard model of the range. Using it with the Genny4 transmitter, experienced operators will be able to find more buried utilities, faster.

C.A.T4+

The C.A.T4+ offers the same locating performance as the C.A.T4 but with addition of Depth measurement, allowing better identification of the route of buried utilities.

gC.A.T4

This model adds GPS position to the usage data recorded. Bluetooth connectivity allows seamless transfer of usage data to the C.A.T Manager Online cloud based system for near real-time monitoring of operators' performance.

C.A.T Manager Online- Mobile

C.A.T Manager is a software suite designed to offer online or local analysis of usage behaviours, explore surveyed locations using Google Maps, and produce surveys and usage reports. Data can be exported and shared as KML or CSV files.



TECHNICAL SPECIFICATION

[DOWNLOAD](#)

(01) 285 2701



www.ude.ie



experts@ude.ie

GENNY4 – SIGNAL GENERATOR

Genny4's patented simultaneous dual-frequency signal output facilitates location of small diameter cables such as telecoms and street lighting, including spurs. All C.A.T4 locator models have patented technology to detect both signals simultaneously. The power boost function in Genny4 enables the locate signal to travel further and deeper, and couple onto utilities more easily.



TECHNICAL SPECIFICATION



DOWNLOAD



(01) 285 2701



www.ude.ie



experts@ude.ie

RD7200 RD8200 – PRECISION LOCATING

The Precision Locate range of underground utility locators comprises: the fully-featured, multi-function RD8200 cable & pipe locator; the utility-specific RD7200 locator, the innovative RD7000M and RD8000M locators that combine the ability to find buried Markers with finding underground cables and pipes; and the single-frequency RD5000WL pipe locator for the water and gas industries. These locators must be used with our signal transmitters, TX-5 and TX-10, to achieve full performance. Plastic pipes, frequently used to carry water or gas, can be found by using our range of transmitting Sondes.



TECHNICAL SPECIFICATION RD7200 [↓ DOWNLOAD](#)
RD8200 [↓ DOWNLOAD](#)

RD8200SG – PRECISION LOCATING



Locate and map buried utilities in a single operation. Mapping buried utilities has been a longstanding practice in the industry. Access to reliable maps plays a crucial role in safety & risk mitigation, preventative maintenance and emergency repairs.



TECHNICAL SPECIFICATION RD8200SG [↓ DOWNLOAD](#)

TX TRANSMITTER

PRECISION LOCATOR RANGE

Product Overview:

The Tx family of signal transmitters has been designed to complement Radiodetection's advanced high-precision cable and pipe locators including the RD8200, RD7200, marker locator and PCM ranges

Product Descriptions: Signal transmitter

Intended Use: Multi-function transmitter

Standard Equipment:

- Transmitter
- Integrated tool tray
- Earth spool
- Earth spike
- Direct connection leads
- Magne



TECHNICAL SPECIFICATION TX TRANSMITTER



PRODUCTS FOR

PIPE DETECTION

- PinPoint R – Ground Penetrating Radar
- All Materials Locator – AML Pro
- PWG – Pulse Wave Generator
- RD510 TX – Plastic Pipe Locator
- FlexiTrace



PINPOINTR

GROUND PENETRATING RADAR

The PinPointR is a dedicated Ground Penetrating Radar (GPR) utility locator instrument, designed to maximize your in-field productivity and decision making capabilities. Utilizing our proprietary real-time sampling (RTS) based antenna technology, the PinPointR delivers incredible bandwidth and resolution, without speed restrictions, all controlled wirelessly via an intuitive Android-driven user interface.



TECHNICAL SPECIFICATION



PWG

PULSE WAVE GENERATOR

The PWG pipe locating system consists of a rechargeable power pack and an electronic pulse generator (PWG) to be attached to a hydrant. This system allows location of metallic or non-metal pipes. The pipe section does not need to be shut down during the location process.

The particular pipe section requires a minimum pressure of 2 bar, and handling the system is very simple. No special skills required.



TECHNICAL SPECIFICATION



AML PRO

ALL MATERIALS LOCATOR

The AML PRO™ is a scientific instrument that utilizes ultra-high radio frequencies to find differences in densities. This offers the best method for locating PVC & PE pipes and nearly any other object that has an edge.



TECHNICAL SPECIFICATION



RD510 TX

The Electronic Transonde is an easy to use method for locating non metallic domestic water services. The battery operated Transonde connects via a tap on the mains supply. The Transonde is used to vibrate the water as it passes through it and across an internal spring system sending a minute sound wave back along the pipe which can then be located using a ground microphone.



FLEXITRACE

The FlexiTrace reel holds 164' (50m) or 260' (80m) of small diameter rod. The rod can be energised by a Radiodetection transmitter* or Genny and inserted into pipes as small as 12mm. It is used with a Radiodetection locator or C.A.T to find and trace small diameter plastic pipes etc.



TECHNICAL SPECIFICATION



PRODUCTS FOR

LEAK DETECTION

- Aqua M50, M100, M300- leak Detector
- PipeMic Leak Detector
- Gascheck H2
- CAT4 – Cable Avoidance Tool
- Laserliner-VideoFlex-HD
- Surveymaster-PROTIMETER
- MMS3- PROTIMETER



AQUA M50

LEAK DETECTOR

The Aqua-M50D is applied in the water supply business to pre-locate (testrod) leaks. Due to its handy size, this measuring instrument is especially well suited to listen to water meters. The Aqua M50 is supplied with a number of attachments for getting into small tight spaces.



TECHNICAL SPECIFICATION



AQUA M100

LEAK DETECTOR

The Aqua-M100D is used in the water supply business to pre-locate (testrod) and to calibrate leakages (geophone). In combination with the Pulse Wave Generator (PWG), it can also be applied to trace the run of a pipeline. The testrod has been specially developed and features an extremely high sensitivity. It has been designed to detect even minute leakages.



TECHNICAL SPECIFICATION



AQUA M300

LEAK DETECTOR

The Aqua M300 facilitates the pinpointing of leaks both acoustically and using tracer gas. This system combines both to allow the user to trace even the smallest of leaks while also allowing long term measurements.



TECHNICAL SPECIFICATION



HUNTER TRACER GAS

Gas detection device for easily locating even the smallest leaks in water and heating pipes using forming gas

- Enables an extremely simple and cost-effective method for locating leaks
- Highly sensitive hydrogen sensor with a resolution of 0.1 ppm H₂
- Integrated pump with high flow and vacuum performance
- Extremely fast reaction to the slightest traces of hydrogen
- Second sensor for precise pinpointing in probe holes



TECHNICAL SPECIFICATION



OLLI TRACER GAS

Gas leak detector with integrated pump for leak detection using forming gas. (5 % H₂ in 95 % N₂)

Water is a scarce and therefore precious resource that must be protected by all available means. This means that leaks in drinking water distribution systems must be detected quickly in order to minimise water losses.

TECHNICAL SPECIFICATION



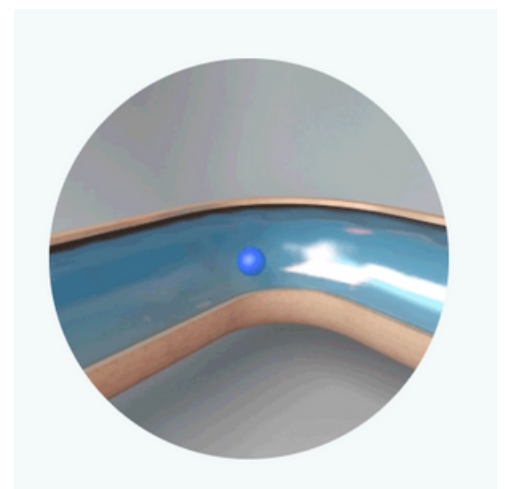
LASERLINER-VIDEOFLEX-HD

This professional video inspection system with compact camera head is perfect for precise visual inspection of small openings, such in pipework, wall cavities and motor vehicles. The high-resolution camera allows extremely detailed images and videos to be captured with 1:1 reproduction on the display with no loss of quality. The sharp digital zoom allows details to be clearly identified. Other benefits are the high-quality LED object lighting, optimum greyscale contrast reproduction, petrol and diesel resistant camera head, and the magnetic stand for setting up the base unit.



AQUAPEA®

The Aquapea® is an innovative product, capable of repairing leaks from inside the pipe with zero excavations, whether the pipe is Polyethylene, Copper, Alkathene, Galvanized Steel or Lead.]The Aquapea® can be used in various pipe sizes from 15mm to 50mm with plans to increase this using our advanced technology. Our revolutionary technology is WRAS Approved and has a Smart WaterMark approval for water efficiency, being one of only 300 products that has demonstrated real water savings.



MMS3- PROTIMETER

Now, with wireless capability, the Protimeter MMS3 represents the latest in moisture measurement technology. Its ergonomic 4-in-1 design allows for fast and accurate full building moisture diagnostics both on and below the surface, from new building construction to refurbishing projects in existing buildings. Also, with built-in hygrometric capabilities and infrared (IR) laser thermometer, the MMS3 also assesses indoor air quality conditions.



TECHNICAL SPECIFICATION



SURVEYMASTER™- PROTIMETER

The Surveymaster™ can help building professionals—such as contractors, surveyors, home builders and architects—assess building moisture levels during new build and refurbishing activities. Excessive moisture in buildings can lead to decay and deterioration of components and decorative finishes.



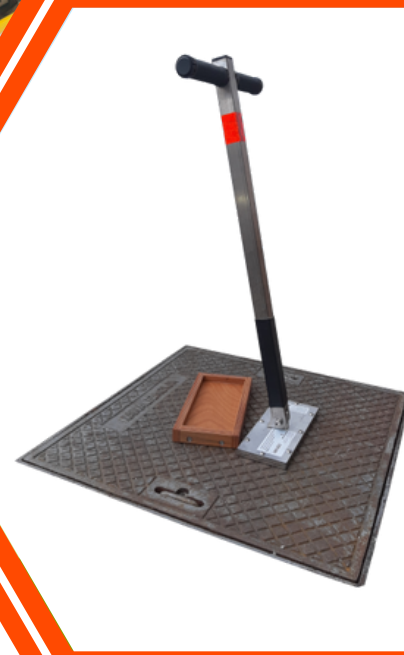
TECHNICAL SPECIFICATION



PRODUCTS FOR

METAL DETECTORS & LIFTERS

- RD312 – Metal Cover Locator
- VIKING – WASP Metal Detector
- ML-3S & ML-3L MAGNETIC LOCATORS
- Magnetic Hoist Hammer
- MK400 Magnetic Hoist



RD312 – METAL COVER LOCATOR

The RD312 is used for locating buried manhole covers, stopcocks and valves. Easy lightweight with push button on/off controls make the RD312 extremely user friendly.



**TECHNICAL
SPECIFICATION**  **DOWNLOAD**

ML-3S & ML-3L MAGNETIC LOCATORS

Detection of ferrous metal objects, including property pins and markers, live wires, weapons, devices and other objects



**TECHNICAL
SPECIFICATION**  **DOWNLOAD**

VIKING – WASP METAL DETECTOR

The WASP metal detector is simple to use with just two controls, Fine and Coarse tuning, and provides good depth penetration, rugged reliability and distinctive and highly visible yellow and black colouring.



TECHNICAL SPECIFICATION  **DOWNLOAD**



MAGNETIC HOIST HAMMER

Magnetic hoist hammer is a perfect gadget for opening of street caps, underground hydrant covers, manhole lids and all kinds of cast iron covers.

Top features include:

- * Super strong – Magnet strength 220kg
- * Multipurpose hammer tip design
- * Anatomically shaped hammerhead for easy handling
- * Stainless handle with rubber grip
- * Permanent, anticorrosive magnet



TECHNICAL SPECIFICATION



MK400 MAGNETIC HOIST

TMK400 is an universal magnetic hoist for opening all kinds of cast iron covers and grates. Weighing less than 5 kg and a magnet with a 400 kg nominal lifting force it is a handy but super powerful must have gadget for any infrastructure worker. With MK400 the cast iron covers can be lifted, tilted or dragged. The self-standing mode reduces the need to bend down for picking up the tool.

Top features include:

- * Magnet strength: 400 kg
- * Magnetised area surface: 240 cm
- * Tool weight: 4.7 kg
- * Rubber handles, safety reflective element



TECHNICAL SPECIFICATION



HIKMICRO

THERMAL IMAGING CAMERAS

- Eco-V Handheld Thermal Camera
- Pocket Series – PocketE Thermal Imaging Camera
- AI56 – Acoustic imaging camera
- M11 Thermal Imaging Camera



POCKET SERIES – POCKETE THERMAL IMAGING CAMERA

HIKMICRO Pocket Series has a high-resolution HIKMICRO VOx detector, an 0.3 MP optical camera, and a 3.5" LCD touch screen. It helps you quickly and efficiently locate hidden problems and accurately measure abnormal temperatures.



TECHNICAL SPECIFICATION



AI56 – ACOUSTIC IMAGING CAMERA

The HIKMICRO AI56 acoustic imaging camera is a professional product for gas leak detection and partial discharge detection.



TECHNICAL
SPECIFICATION



ECO-V

HANDHELD THERMAL CAMERA

The handheld thermal camera is based on the thermal technology, specially designed for the needs of temperature measuring applications. People can quickly troubleshoot faults on-site.



**TECHNICAL
SPECIFICATION**



HIKMICRO M SERIES- M11

THERMAL IMAGING CAMERA

HIKMICRO M11 handheld thermography camera is specially designed for professional inspections. It's equipped with a 192 × 144 resolution thermal detector and an 8MP resolution visual camera. The high resolution 3.5-inch touch screen displays crisp, clear images and streamlines camera operations. Imaging modes include thermal, visual, picture in a picture of the optical and thermal view, and fusion of both channels.



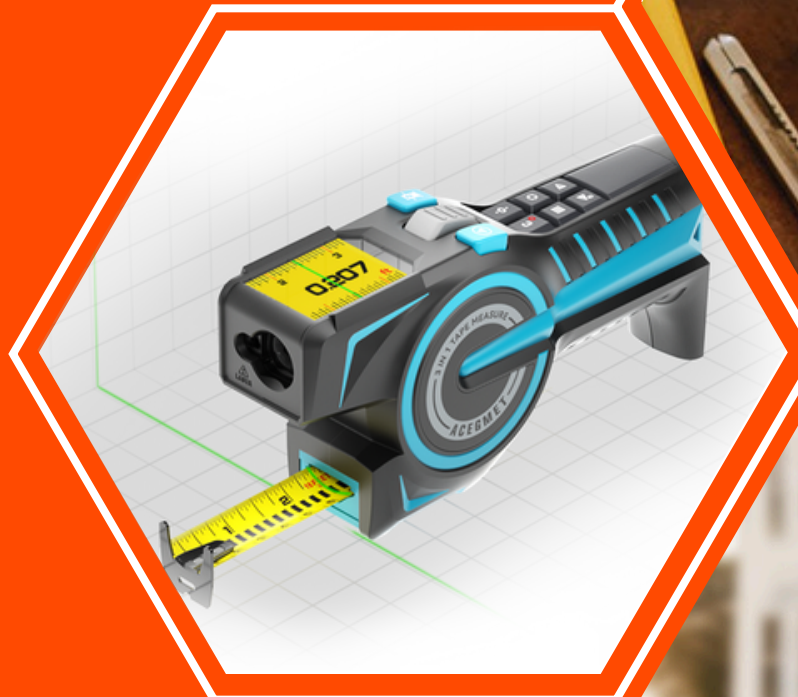
TECHNICAL SPECIFICATION



MILESEEY

MEASUREMENT TOOLS

- DT20
- DTX10
- S9
- XTAPE 1
- P9



XTAPE1

MODULAR LASER DIGITAL TAPE

Tape Marvel with The World's Finest Accuracy technology.

FEATURES:

- Market-First Modular Laser Digital Tape: The XTAPE1 ingeniously marries conventional tape, leading-edge new-era digital tape and laser measure in a unique modular design. Assembly and disassembly are at your fingertips!
- Revolutionary 270° Triple-Surface -Spanning Green Laser Line: Building upon the success of its predecessor, the XTAPE1 incorporates an enhanced green aligning laser, powered by in-house developed Enhanced Laser Diode and Prism System.
- Extreme Digital Accuracy Powered By Brand-New Technology: The XTAPE1 leverages cutting-edge patented Camera- optix Imaging Sensor (CIS) that offers an exceptional digital accuracy of up to $\pm 1/32''$ on its IPS display, regardless effects of dust, water or scratches.

TECHNICAL SPECIFICATION



DT20 LASER DISTANCE METER

FEATURES:

- Dual Measure Mode: Flexible switching between digital tape measure mode or laser measurement mode for area/volume measurement.
- Digital Measuring Tape: Digital tape make reading more intuitive.
- Bluetooth: Bluetooth transmission module for data calculation and data output



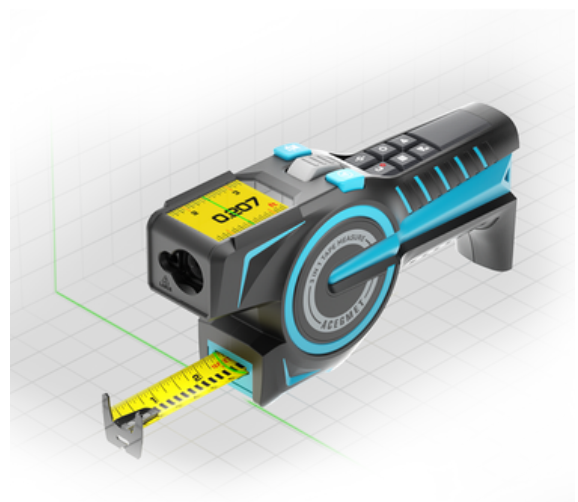
TECHNICAL SPECIFICATION



DTX10-3IN1 LASER MEASURING TAPE

FEATURES:

- Green Laser Line Marking
- Incremental Measurement
- Mixed Data Sources Measurement



TECHNICAL SPECIFICATION



P9 LASER DISTANCE METER

FEATURES:

- Camera-assisted Measurement: Camera-assisted measurement can be turned on in any mode with aiming mark.
- Point-Point Measurement: With digital angle sensor, it is able to measure the distance between any two points in space.
- Screenshot Saving: Screenshots are supported for easier storage and viewing of measurement results, and up to 100 photos can be stocked.



TECHNICAL SPECIFICATION



S9 LASER MEASURE

FEATURES:

A cutting-edge 330ft laser measure series well-suited for large and complicated job sites where precise and accurate measurements are crucial.



TECHNICAL SPECIFICATION



CABLE IDENTIFICATION

- JUPITER X
- JUPITER XE
- EZCI-100
- LCI-400



CABLE AND PHASE IDENTIFICATION ON DE-ENERGIZED CABLES

JUPITER X

JUPITER X allows : ☑ Cable identification (low or medium voltage) ☑ Phase identification in short-circuit mode and open circuit mode ☑ Continuity in short-circuit mode and open circuit mode



TECHNICAL SPECIFICATION



JUPITER XE

JUPITER XE is an equipment allowing:

- Pre-identification of de-energized cables in excavations, gutters and cable trays, with short-circuited ends.
- Identification of dead conductors and continuity test to the transmitter called S1.
 - shorted end (closed circuit)
 - open circuit end



TECHNICAL SPECIFICATION



CABLE IDENTIFIER EZCI-100

EZCI-100 allows :
Cable identification
(low or medium
voltage)



TECHNICAL SPECIFICATION



LIVE LV CABLE AND CORE IDENTIFICATION

LCI-400

Identifies cables and
cores Gives phase
rotation Live LV Simple
to use Visual and
audible signal
Improved efficiency
Enhanced safety



TECHNICAL SPECIFICATION



OTHER PRODUCTS

- Sky Laser
- UPP-1200 Portable Power Station
- JCB Lights
- AndoRe pipe repair clamps
- DERBLAUE®- Pumping system

ANDOTEHNA



SKY LASER

WORK ASSISTANCE NEAR HIGH RISK ZONES

The SKY LASER is designed to monitor boundaries and objects. It is complementary to classic signage around a works zone near structures considered to be hazardous (HVA/HVB lines, live transformers, HV lines, railway lines, etc.).

The purpose is to create :

- Either a horizontal plane.
- Or a virtual wall that is not to be crossed.

This monitoring is provided using a laser scanner (LIDAR).

If the virtual barriers are crossed, audible and visible alarms are triggered !

The audible and visible alarms can also be sent to repeater boxes !



TECHNICAL SPECIFICATION



DOWNLOAD



(01) 285 2701



www.ude.ie



experts@ude.ie

UPP-1200

PORTABLE POWER STATION

This product is a high-end fashion off-grid portable power station, independently developed by Shenzhen Pordie Energy Technology Co., Ltd. Light and portable, stylish and generous, using automotive-grade LiFePO4 battery, safe, reliable, and durable; providing 230V /12V/5V AC and DC output, suitable for various equipment such as aerial drones, portable ventilators, medical equipment, mobile phones, tablets, laptops, desktop computers, small printers, various lamps, small fish tanks, photographic equipment, electric balance wheelbarrows, etc. It's convenient for users to use at home, travel, outdoor work, camping picnics, mountaineering adventures, etc.



TECHNICAL SPECIFICATION



JCB LIGHTS

DESIGNED TO BE BRIGHTER, TOUGHER, GREENER AND TO BE USED IN THE MOST DEMANDING WORK ENVIRONMENTS.

Our range of JCB rechargeable and portable work lights, use the latest in battery and LED technology, which delivers a near daylight high output light with cable-free long run times. The complete range is designed and built to be strong and durable, which mean they can handle even the most challenging work environment. With a 3-year warranty, you have the peace of mind that JCB Work Lights will be working as long and as hard as you.

TECHNICAL SPECIFICATION



NEW



ANDORE

PIPE REPAIR CLAMPS

AndoRe pipe repair clamps are made entirely of stainless steel A2, AISI 304, EN 1.4301 (with 18% Cr and 10% Ni). Welds are neutralised by an automated welding procedure. Bolts (M12 and M16) are protected against cold welding by special blue coating. The labyrinth seal is made of EPDM rubber according to DIN EN 681.1 and tested according to KTW and W270 standards, for gas pipes NBR rubber is used according to DIN EN 682 standard.

ANDOTEHNA



TECHNICAL SPECIFICATION



DERBLAUE® – PUMPING SYSTEM

- Powerful pumping capacity of 10 liters/min., 0,5 bar
- 3 m water hose with mounting clip
- proofed up to 60 degrees
- Carrying bag
- Power supply unit to operate the pump and the battery
- Deep suction up to 5 mm



BRANDS WE WORK WITH

RADIODETECTION 

PEARPOINT 

SENSORS & SOFTWARE 
from RADIODETECTION

 HIKMICRO

 SUBSURFACE
INSTRUMENTS, INC

 FAST
GROUPE CLAIRE

 **andOTEHNa** d.o.o. SINCE 1979
PROIZVODNJA • INŽENIRING • TRGOVINA

 made

 VIKING
METAL DETECTORS

DERBLAUE®

 Esders

impulse  RADAR

 SOUOP
Source Of Power

 JCB
WORK LIGHTS

 QINOV8

MILESEEY® TOOLS

Contact Us



www.ude.ie



Dublin- (01) 285 2701,
Glasgow- (0141) 266 0696



experts@ude.ie



Units 1-2 Loughinstown Centre,
Loughinstown Drive, Glenageary,
Co.Dublin A96 VE42

